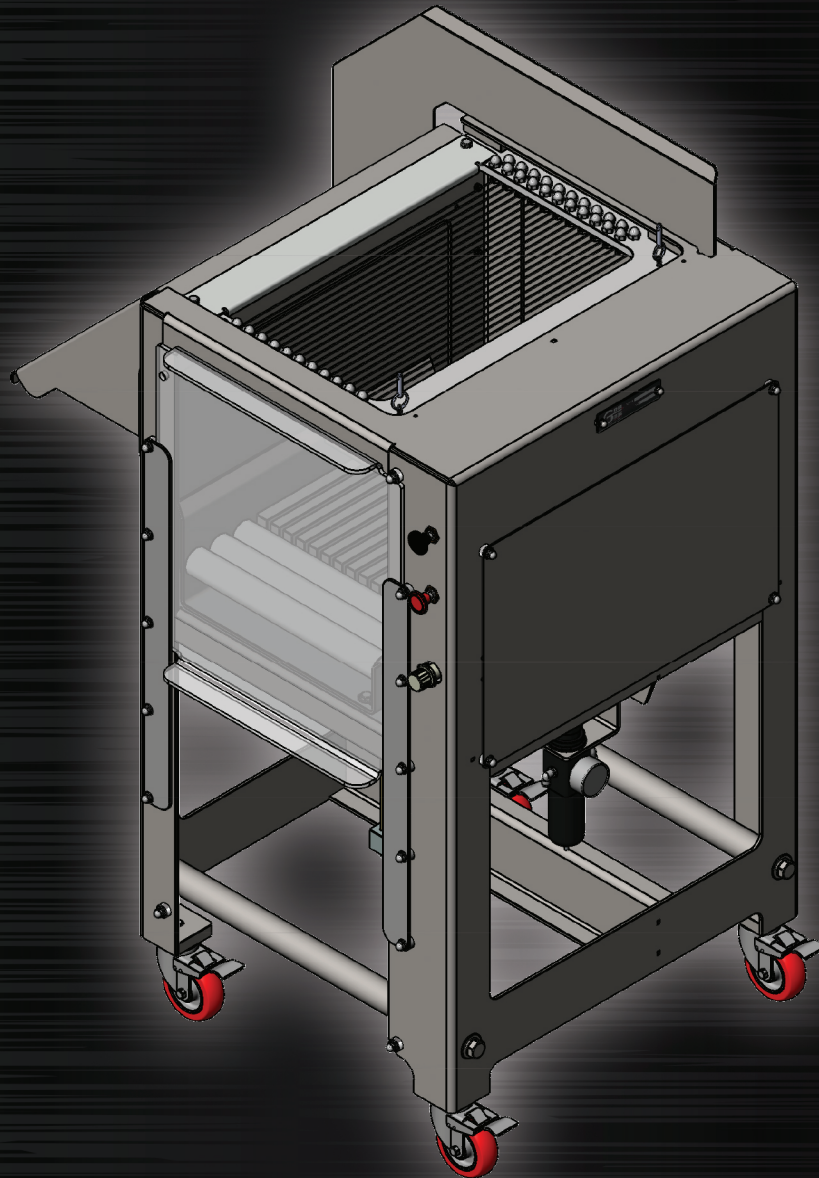


MODEL 1805

VERTICAL CUTTER



GENMAC

A Division of 5 Point Fabrication, LLC.
1680 Cornell Road | Green Bay, WI 54313

PHONE (920) 458-2189

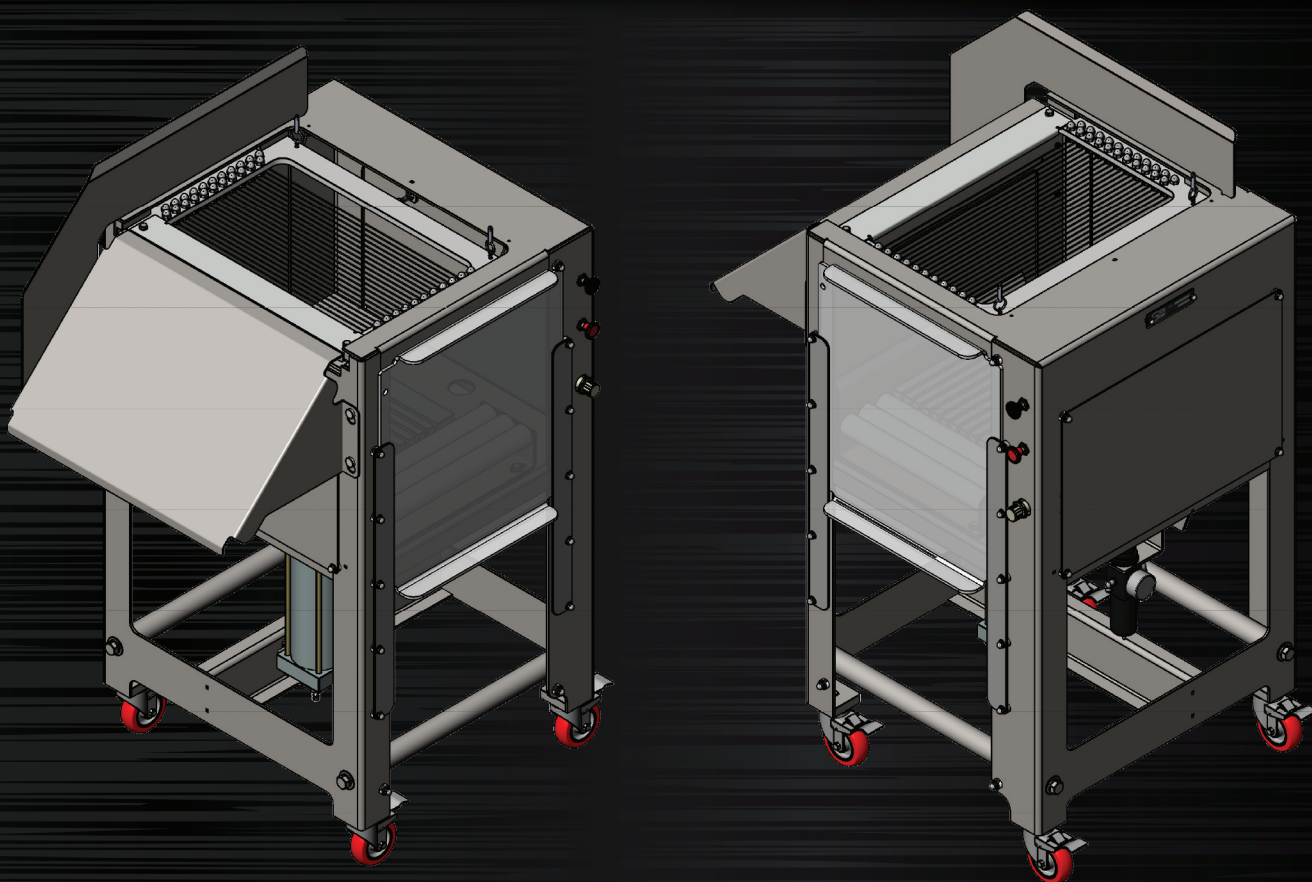
FAX (920) 458-8316

EMAIL Sales@genmac.com



MODEL 1805

VERTICAL CUTTER



Features:

- Cuts cheese blocks or other wire-cuttible products into uniform portions for retail purposes or further processing, such as dicing, shredding, melting, or blending.
- Capacity of up to 14" x 12" x 11"
- Harp is easily removed for cleaning and wire change
- Comes with an adjustable speed control
- 100% operated by air
- All stainless steel frame and manufactured parts
- Machine footprint - 54" tall x 38" long x 30" wide



WWW.GENMAC.COM