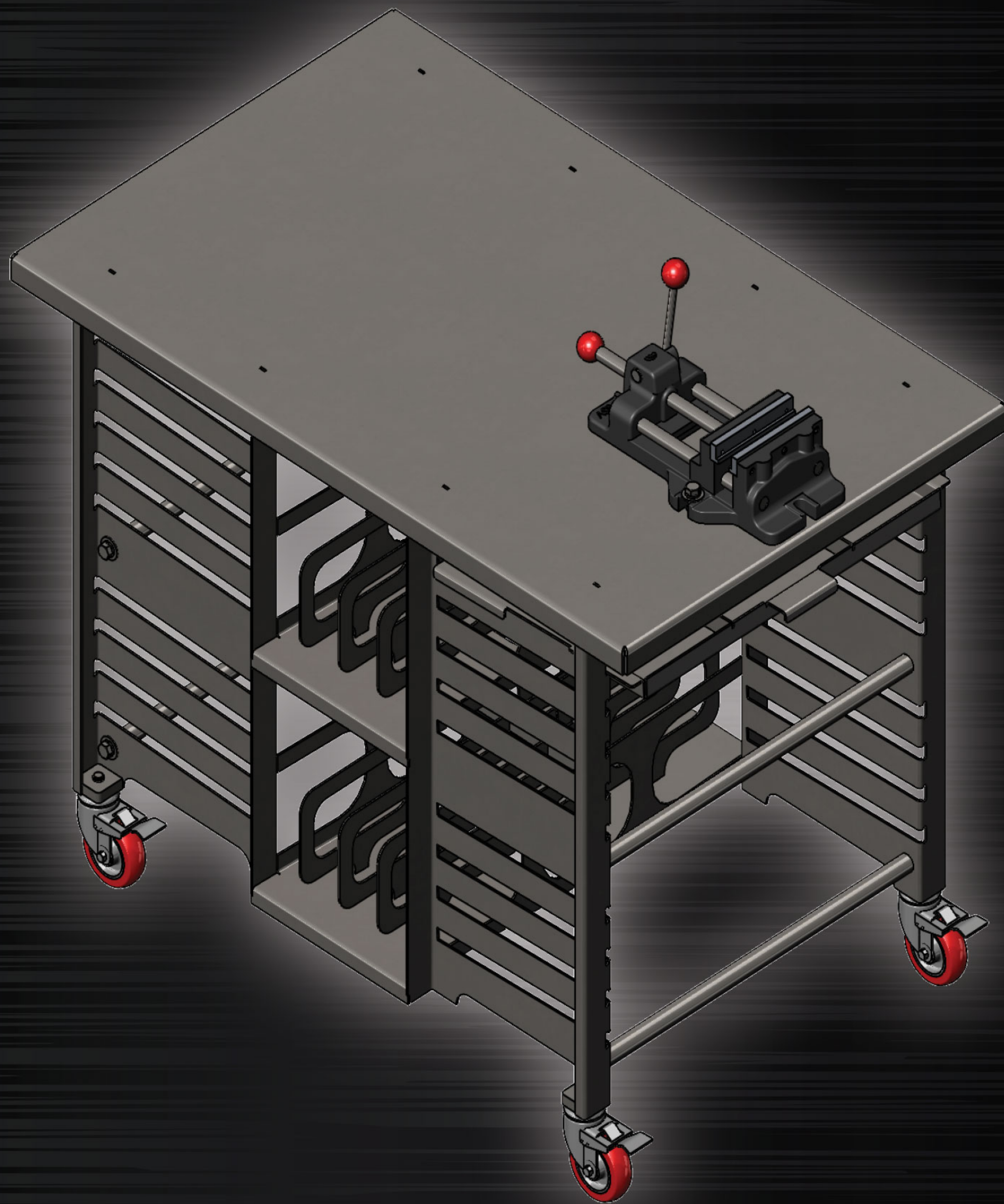


HARP CART

GENMAC HARP CART



GENMAC

A Division of 5 Point Fabrication, LLC.
1680 Cornell Road | Green Bay, WI 54313

PHONE (920) 458-2189

FAX (920) 458-8316

EMAIL Sales@genmac.com

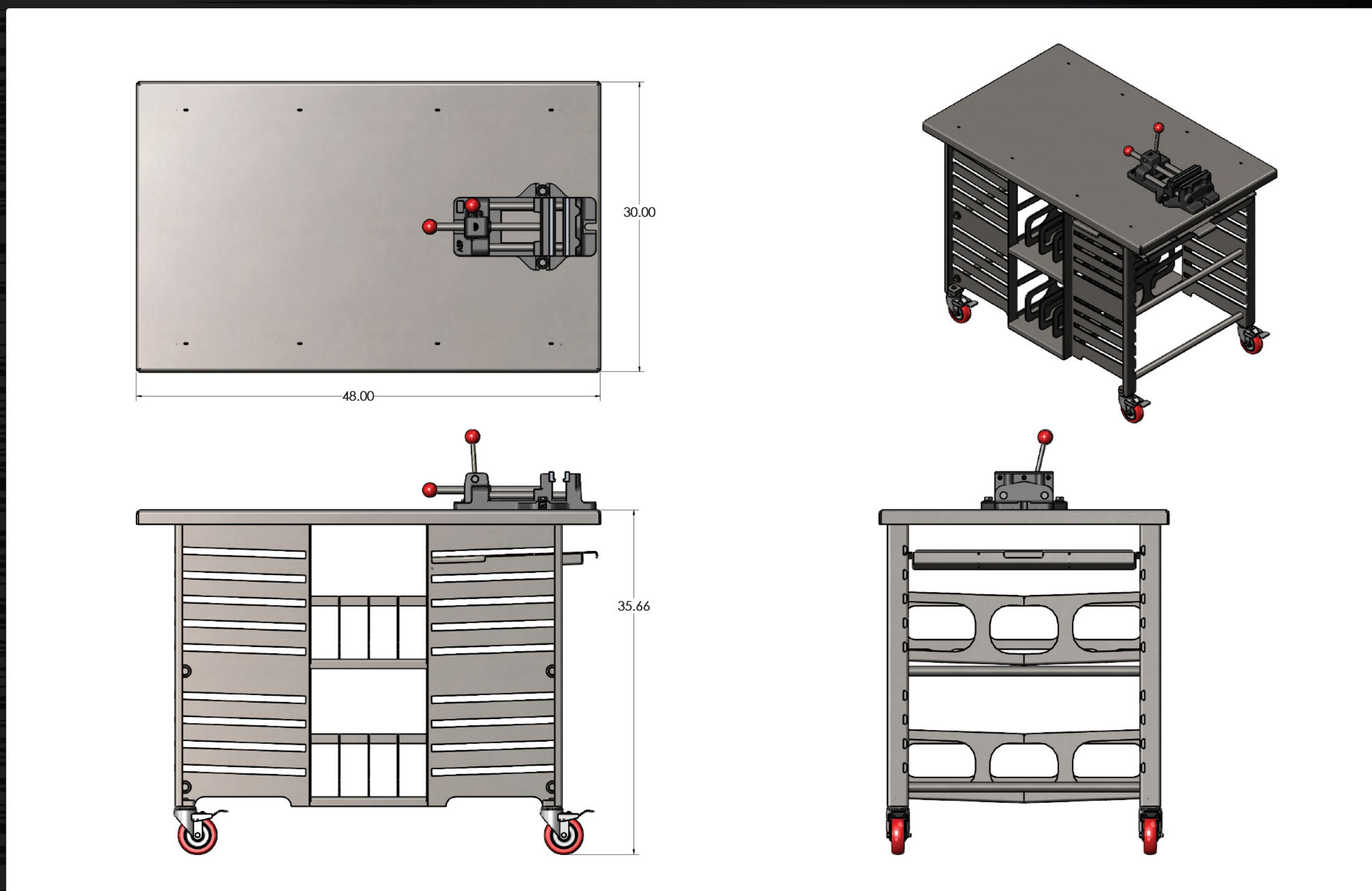


HARP & PLATEN CART

STAINLESS STEEL

- Store, protect & organize your harps!
- Formed & welded stainless steel for durability. Sanitary in design.
- Holds 17 harp frames and 16 plastic platens.
- Locking stainless steel, swivel caster wheels for easy mobility.
- Features a quick-clamp, pump action vise with smooth, non-marring jaws to prevent damage and securely hold harps during service & re-wiring.
- Complete with handy storage drawer for extra wire and tools!

CONTACT: sales@genmac.com for pricing.



WWW.GENMAC.COM